

**MARLIN 52**

**VACUUM PACKAGING MACHINE**



**FEATURES**

- Standard with 2 seal bars (left-right): 2 x 520 mm
- Optional without extra costs: 1 seal bar (front)
- Standard double seal (two wires). Optional without extra costs: Cut-off/Wide seal
- Seal bars easily removable for cleaning and maintenance purposes
- Pump capacity: 63 m<sup>3</sup>/h Busch vacuum pump
- Pump maintenance and cleaning program
- Machine cycle: 15-40 sec
- Standard Soft Air to protect the product and vacuum bag
- Standard Digital control with 10 program memory and Time control
- Deep drawn stainless steel vacuum chamber and a transparent lid
- Comes with insert plates for a faster cycle and product adjustment
- Stainless steel exterior

**OPTIONS**

- 1-2 Cut-off seal
- Sensor control, Advanced Control System (ACS)
- Liquid control
- Gas flush

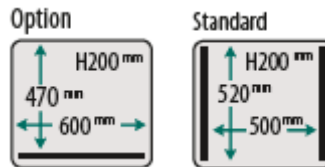
**ACCESSORIES**

- Zebra ZD410 thermal label printer (only in combination with ACS)
- Inclined insert plate (for packing liquids)
- Food container adaptor
- Service kit for standard maintenance

**DESCRIPTION**

The robust, stainless steel Marlin 52 vacuum packaging machine is standard equipped with a Busch vacuum pump, a transparent lid and 2 seal bars. This floor model complies with CE standards.

**SEAL BAR CONFIGURATIONS**



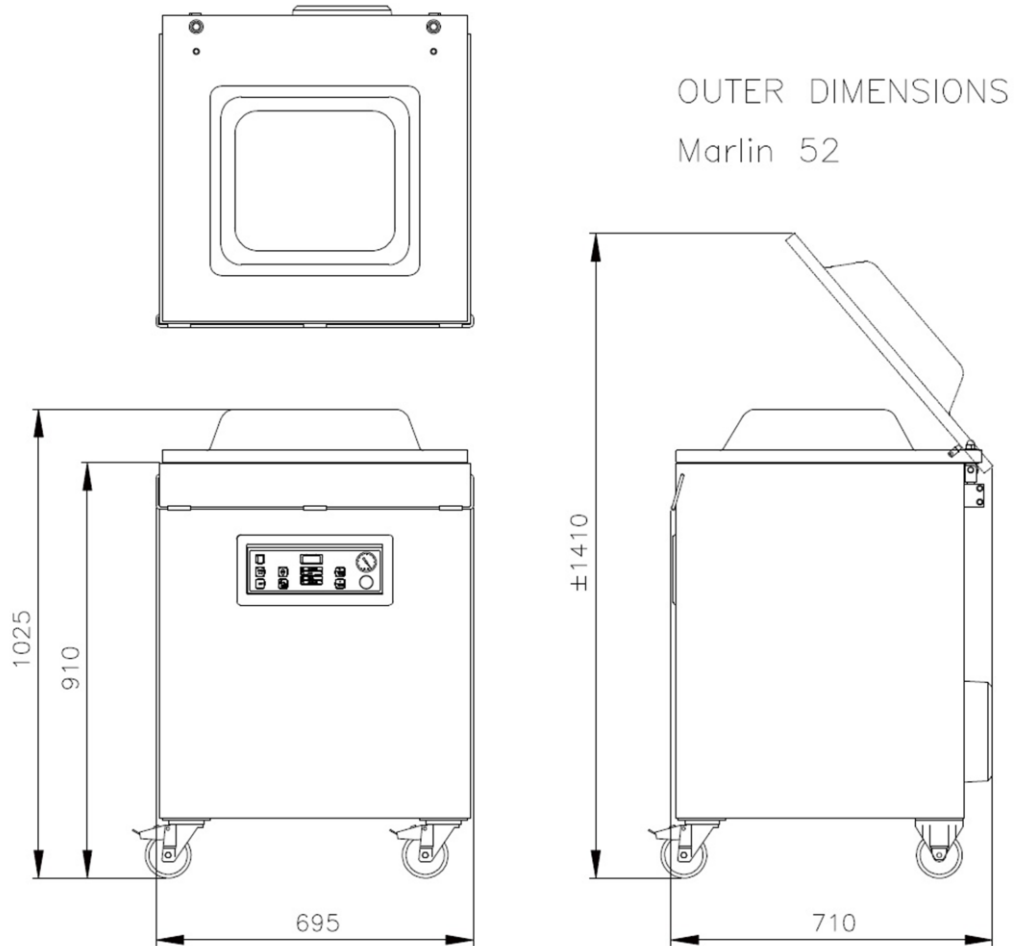
Henkelman offers standard 3 year warranty

# VACUUM PACAGKING MACHINE MARLIN 52II – SPECS

## VACUUM PACKAGING MACHINE MARLIN 52II – SPEC SHEET

### DIMENSIONS

In mm



Model	Dimensions (mm)		Voltage*	Pump capacity (m <sup>3</sup> /h)	Power (kW)	Weight (kg)
	Chamber (usable space) L x W x H	Machine L x W x H				
Marlin 52II	520 x 500 x 200	710 x 695 x 1025	400V-3-50	63	2,4- 3,5	165

\* Other voltages available



HENKELMAN BV  
Titaniumlaan 10  
5221 CK 's-Hertogenbosch  
The Netherlands

**Sales support**  
P +31 73 621 36 71  
E [info@henkelman.com](mailto:info@henkelman.com)  
**Service/technical support**  
P +31 73 621 36 71  
E [service@henkelman.com](mailto:service@henkelman.com)